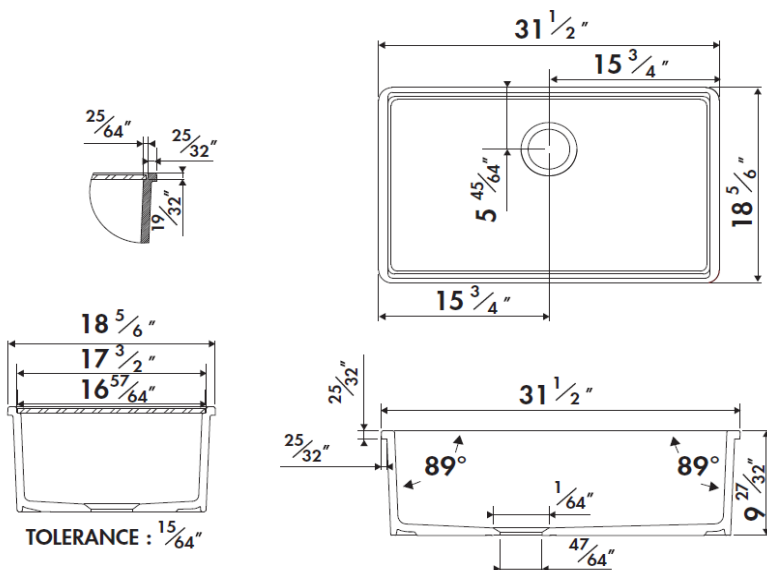


Reference of the product: E5100NOST 006  
 Name of product: ANNE - BLANC  
 Size of product (inch): 31 1/2" x 18 5/6" x 9 27/32"  
 Code EAN :  
 Photo:



Product data:	
TYPE OF SINK :	Farmer Sink
POSITIONNEMENT :	Undermount - Apron Sink Base
MATERIAL : Chambord	European Fireclay with Porcelain Glaze
Lenght & Width:	31 1/2"      18 5/6"
Apron Height:	9 27/32"
	Drain Opening - Standard US 3.5 Inch Drain
	Garbage Disposal Safe
Bowl Depth:	
Weight net:	
Warranty (in years):	5
Under cabinet:	31 1/2"

Due to the Nature of Earthenware Products Dimensions are Approximate +/- .5 Inch



**Items included :**

