

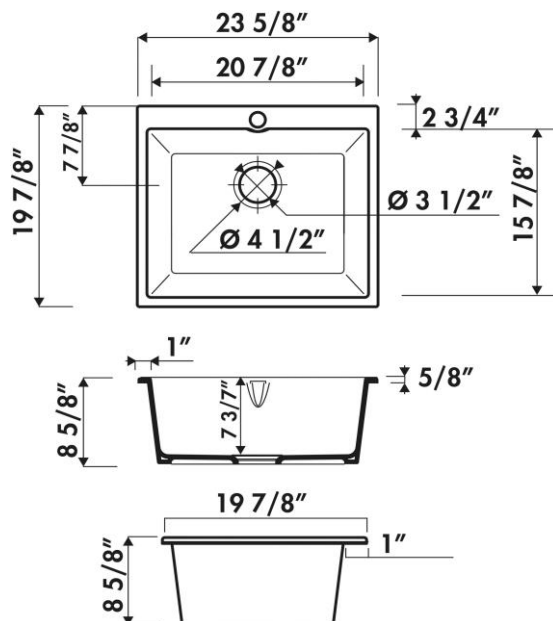


**Reference of the product:** EV954N0ST559  
**Name of product:** Constance II taupe  
**Size of product (inch):** 23 5/8" x 19 7/8" x 8 5/8"  
**Code EAN :** 3537390448435  
**Photo:**



Product data:	
TYPE OF SINK :	Bowl
POSITIONNEMENT :	Undermount - Sink Base
MATERIAL : Chambord	Fireclay
Lenght & Width:	23 5/8"      19 7/8"
Apron Height:	8 5/8"
	Drain Opening - Standard US 3.5 Inch Drain
	Garbage Disposal Safe
Bowl Depth:	7 3/7"
Weight net:	42 lbs
Warranty (in years):	5
Under cabinet:	23 5/8"

Due to the Nature of Earthenware Products Dimensions are Approximate +/- .5 Inch



TRADITIONAL KITCHEN SINKS PRODUCTS